

caprari

CVD

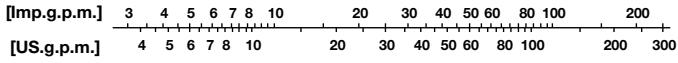
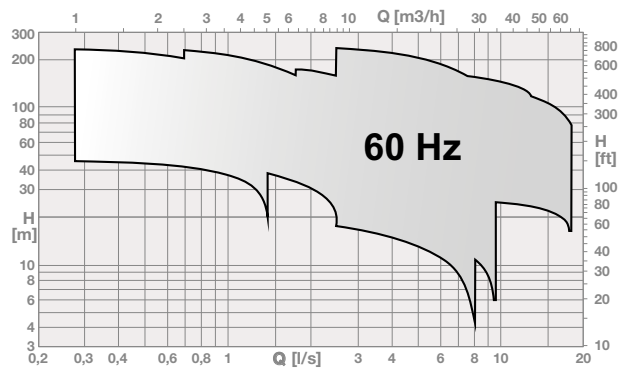
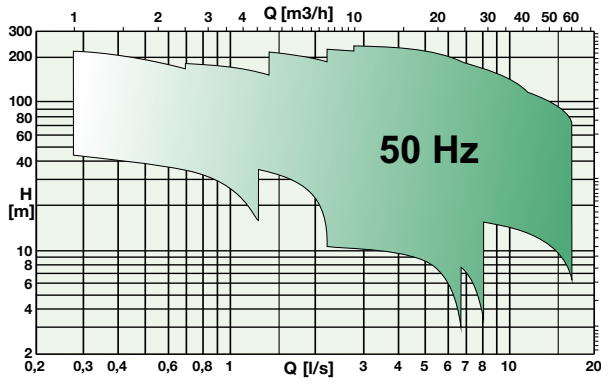
**NEW VERTICAL MULTISTAGE
ELECTRIC PUMPS**

MADE IN ITALY



**DRINKING
WATER
CERTIFICATIONS**

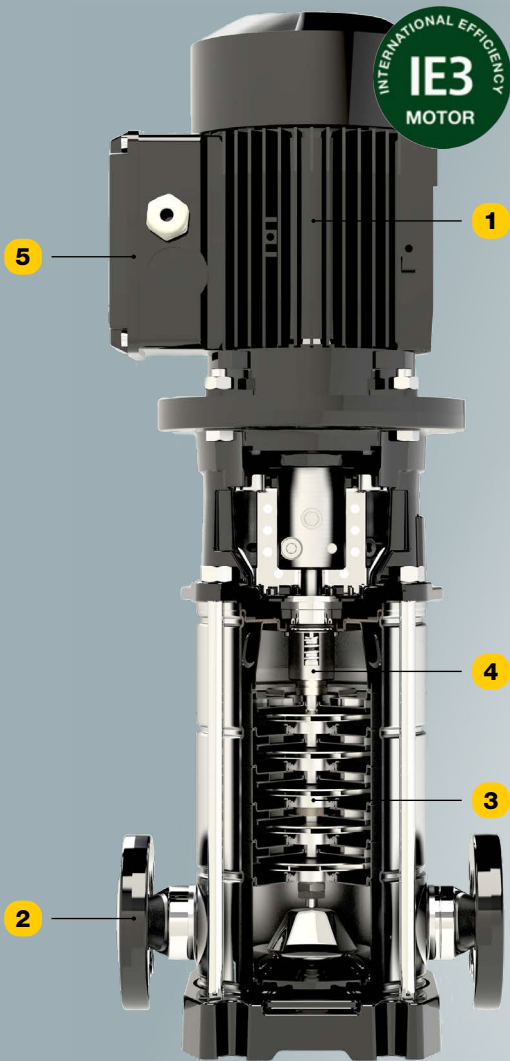
FAST DELIVERY



Flow rate up to	60 m ³ /h
Head up to	250 m
Power up to	22 kW
Frequency	50/60 Hz

IDEAL FOR

- BOOSTER SETS**
- PROFESSIONAL AGRICULTURE**
- INFRASTRUCTURE**
- INDUSTRY**
- FIRE FIGHTING**



WHY CHOOSE CVD

1 HIGH ENERGY SAVING

- IE3 efficiency class motors
- Impellers and diffusers in **stamped stainless steel**: performance over time

2 LOW INSTALLATION COSTS

- **Easy installation**: inlet/outlet in line ports
- High performance with **lower number of stages**: compact dimensions

3 ROBUSTNESS AND RELIABILITY

- **All components** in contact with liquid in **AISI 304 stainless steel**
- **Thrust bearing** for high axial thrusts: long pump life

4 EASY MAINTENANCE

- **Cartridge mechanical seal**: replaceable without disassembling the motor
- **V1 type standardized motors** construction

5 MAXIMUM FLEXIBILITY

- **AISI 316** and **inverter on-board** versions available
- Electric pump **certified** for **drinking water** application

