

**caprari**

**NMC**

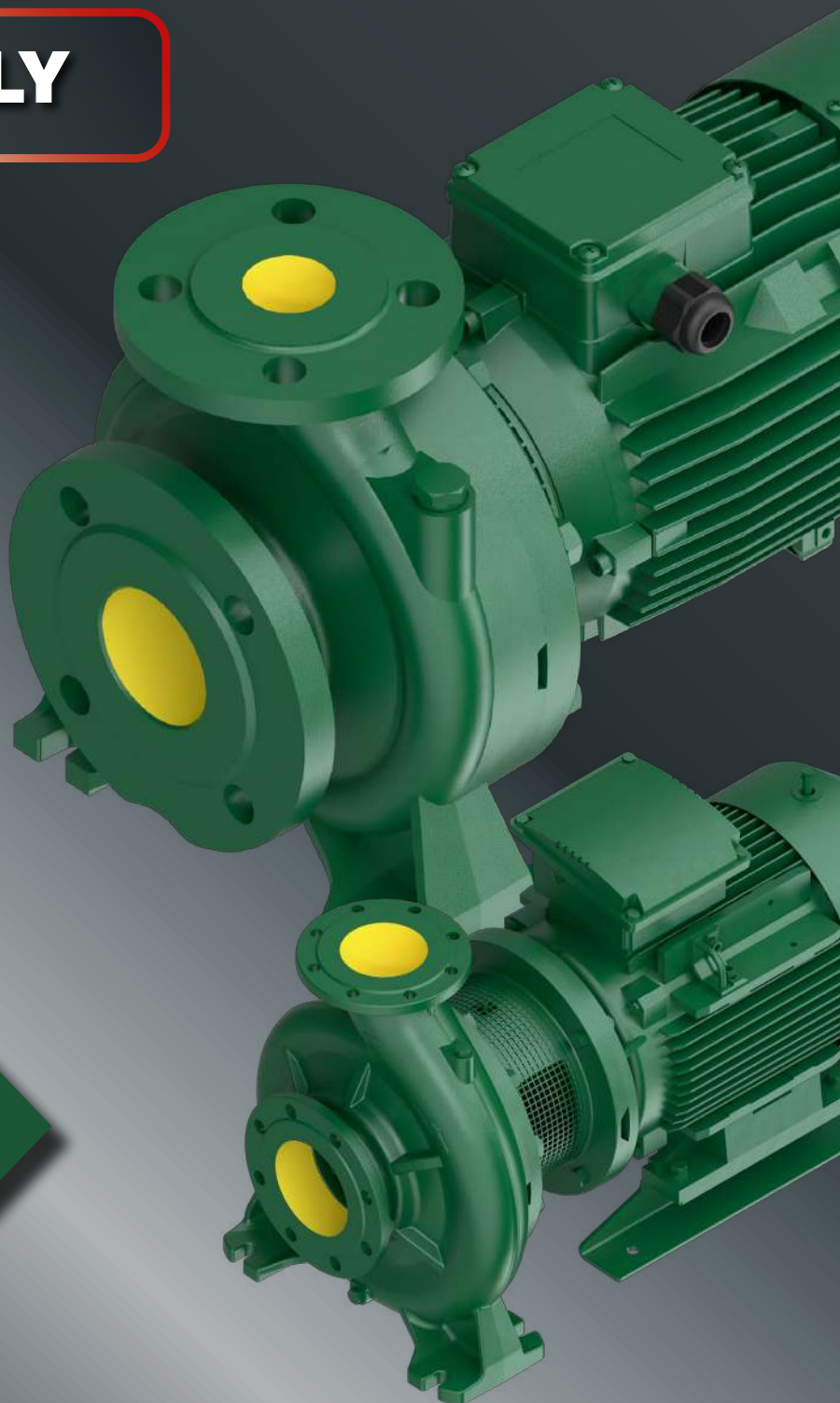
**NEW NORMALIZED  
MONOBLOC PUMPS EN733**

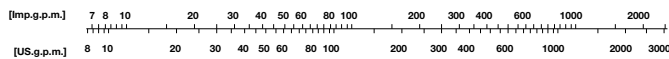
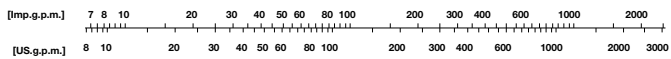
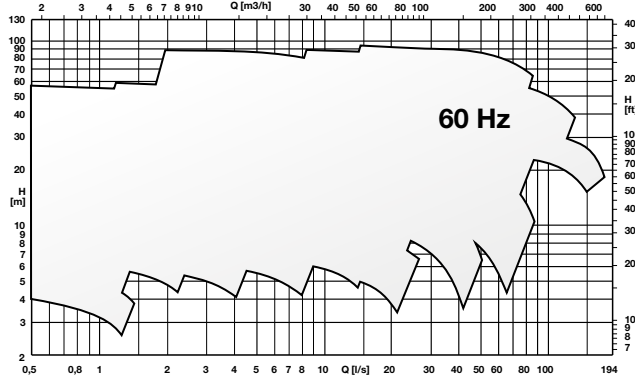
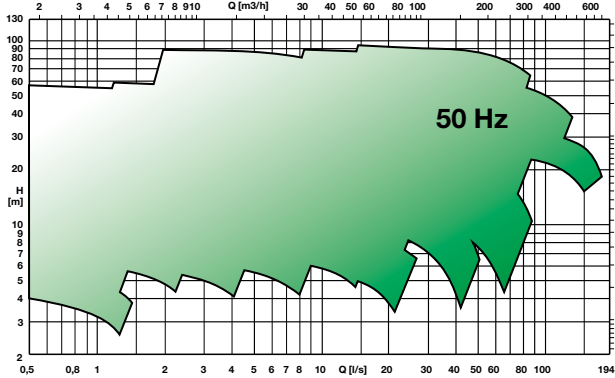
**MADE IN ITALY**

**ELECTRIC PUMPS  
2/4 POLES – 50/60 Hz**

**DRINKING  
WATER  
CERTIFICATIONS**

**FAST  
DELIVERY**



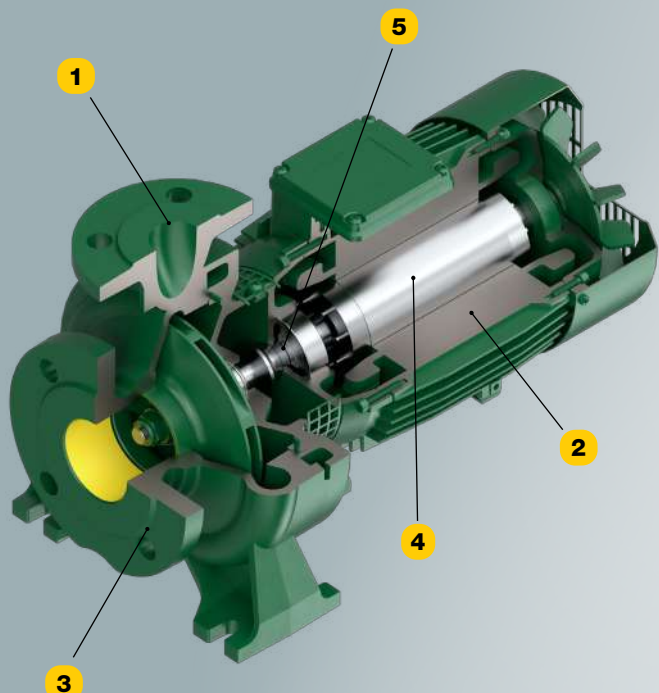


Flow rate up to	650 m <sup>3</sup> /h
Head up to	95 m
Power up to	90 kW
Frequency	50/60 Hz

**IDEAL FOR**

- HEATING AND AIR-CONDITIONING**
- INDUSTRY**
- CIVIL APPLICATION**
- BOOSTER SETS**
- IRRIGATION**

## WHY CHOOSE NMC



### 1 WIDE RANGE

- 8 sizes in cast iron and bronze from DN32 to DN150
- 2/4 poles, 50/60 Hz electric motors with power rate up to 90 kW

### 2 HIGH ENERGY SAVING

- Pumps with high quality design: **excellent hydraulic efficiencies**
- IE3 or IE4 efficiency class motors

### 3 COMPLIANT WITH EUROPEAN STANDARD

- EN 733 (DIN 24255) standard
- ERP Ecodesign 2009/125/CE directive

### 4 MAXIMUM APPLICATION FLEXIBILITY

- Pump **certified** for **drinking water** application
- Version with **integral shaft** or with **extended pump shaft** and **normalized motors**

### 5 ROBUSTNESS AND RELIABILITY

- Application with **liquid temperature** up to **140°C**
- **Low mechanical stress: generously sized shaft** and **bearings**



Follow us

