

caprari

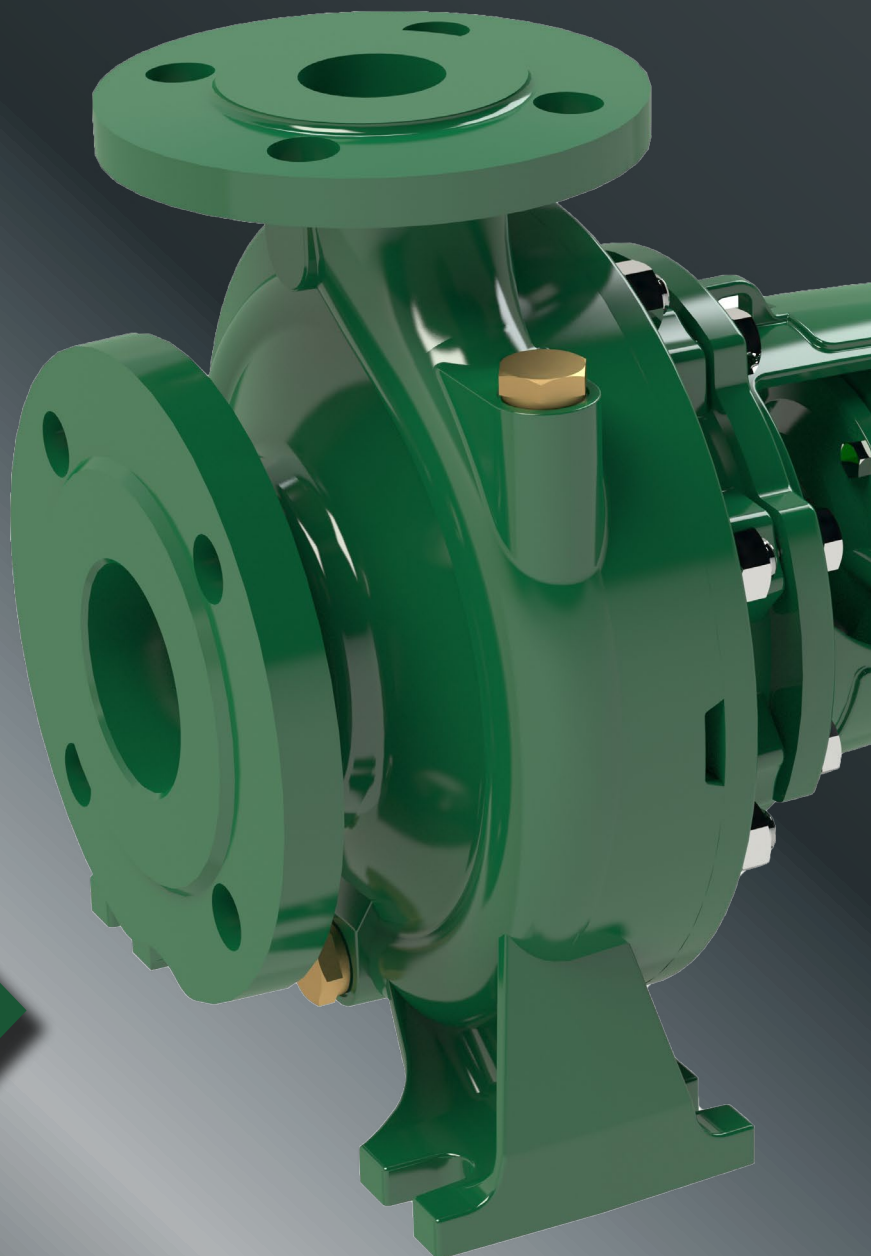
NCD

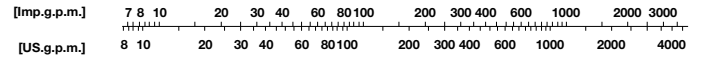
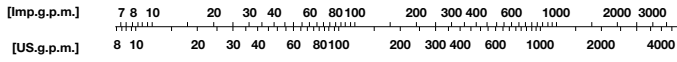
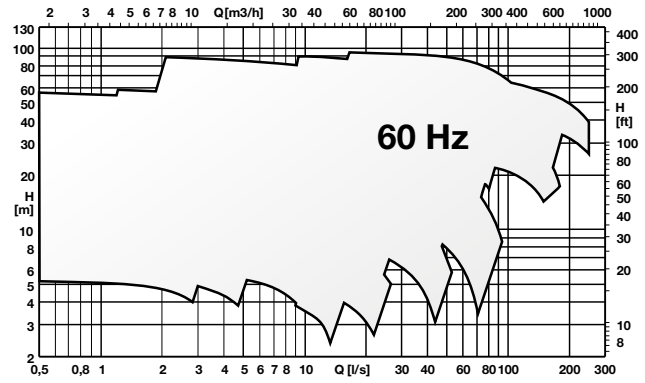
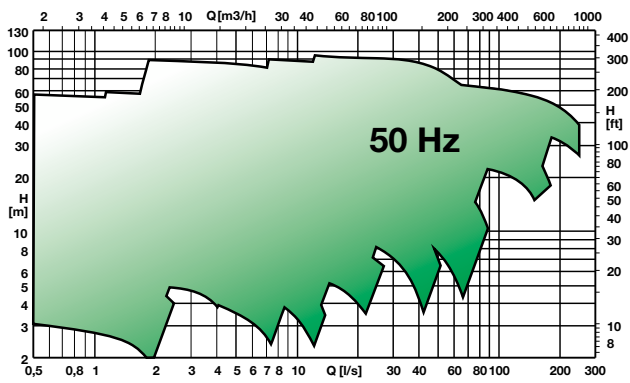
**NORMALIZED SINGLE
STAGE PUMPS EN733**

MADE IN ITALY

***DRINKING
WATER
CERTIFICATIONS***

***FAST
DELIVERY***



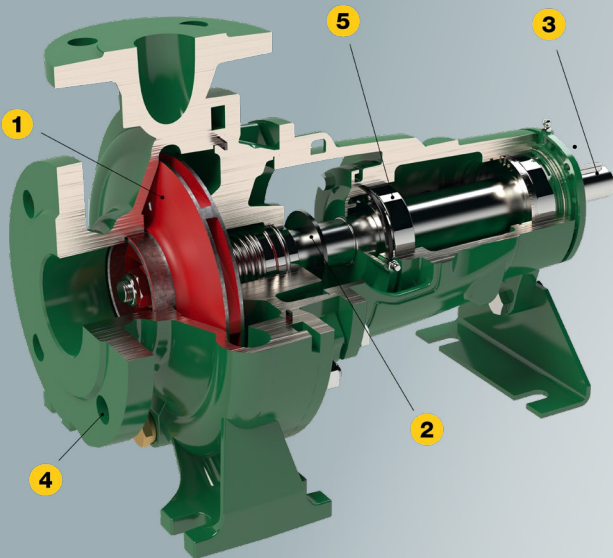


Flow rate up to	900 m ³ /h
Head up to	100 m
Power up to	132 kW
Frequency	50/60 Hz

IDEAL FOR

- FIRE FIGHTING**
- INDUSTRY**
- WATER SUPPLY**
- CONDITIONING**
- PROFESSIONAL IRRIGATION**

WHY CHOOSE NCD



1 HIGH ENERGY SAVING

- Pumps with high quality design: **excellent hydraulic efficiencies**
- **IE3 or IE4 efficiency class** motors

2 EASY MAINTENANCE

- **BACK PULL OUT** system: inspection and reparation **without disconnecting the motor and the pump casing from the piping**
- **B3 type standardized motors** construction

3 COMPLIANT WITH EUROPEAN STANDARD

- **EN 733 (DIN 24255) standard**
- **ERP Ecodesign 2009/125/CE directive**

4 MAXIMUM APPLICATION FLEXIBILITY

- Pump **certified** for **drinking water** application
- **Corrosion resistance: bronze pump casing and impeller** version

5 ROBUSTNESS AND RELIABILITY

- Application with **liquid temperature** up to **140°C**
- **Low mechanical stress: generously sized shaft and bearings**