

# ELECTRIC SUBMERSIBLE SEWAGE PUMPS



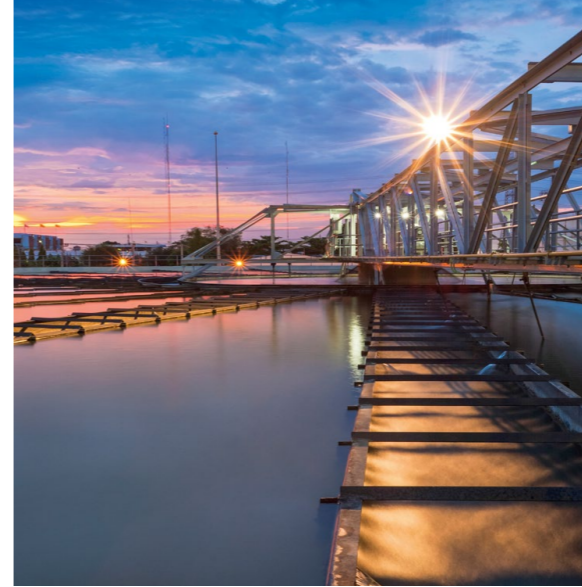
**caprari**

**NEW  
GENERATION**

# THE PUMP THAT NEVER STOPS



**caprari**



**THE SAME PUMP FOR ALL APPLICATIONS**

**IDEAL FOR**

**WASTEWATER TRANSPORT**

**WASTEWATER TREATMENT**

**INDUSTRY**

**STORMWATER**

## THE NEW GENERATION OF PUMPS IN THE WORLD OF WASTEWATER

The wide range of the K+ series is designed to pump wastewater containing gases and solids

The excellent performance of the hydraulic profiles ensures **maximum efficiency**

The special compact size of the pump ensure **total reliability** and **ease of installation**



DN40 → DN500

### TECHNICAL FEATURES

Flow rate up to 1700 l/s	Head up to 67 m	Power up to 345 kW	Frequency 50-60 Hz	ATEX version Yes
-----------------------------	--------------------	-----------------------	-----------------------	---------------------



IN WET PIT



IN DRY CHAMBER

## WHY CHOOSE K+ ENERGY?

Electrical efficiency, hydraulic performance and Caprari international patents for **the best wastewater pump in the world**



### IE3 ELECTRICAL EFFICIENCY CLASS

K+ Energy pumps are designed to ensure high efficiency and reduced energy costs

Exclusive



### ANTI-CLOGGING SYSTEM

1. The **widest free passages** on the market
2. **Maximum durability** of mechanical seal
3. Impeller **cleaning** and axial thrust compensation for bearing **protection**
4. **Anti-sedimentation system** for solids

International Patent

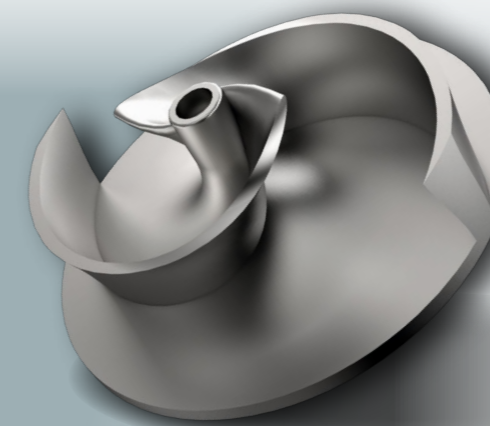


### OIL COOLING SYSTEM

1. Application **versatility**
2. **Simple** operation
3. **Maximum** operating **efficiency**

**new**

The **K+ ENERGY** range is now more extensive thanks to the new electric pump models with **twin-blade open impeller**, which ensure **excellent efficiency above 80%**.



### HIGH EFFICIENCY IMPELLER

- **Open twin blade** construction: **efficiency above 80%**
- Maximum **wear resistance**: hardened cast iron

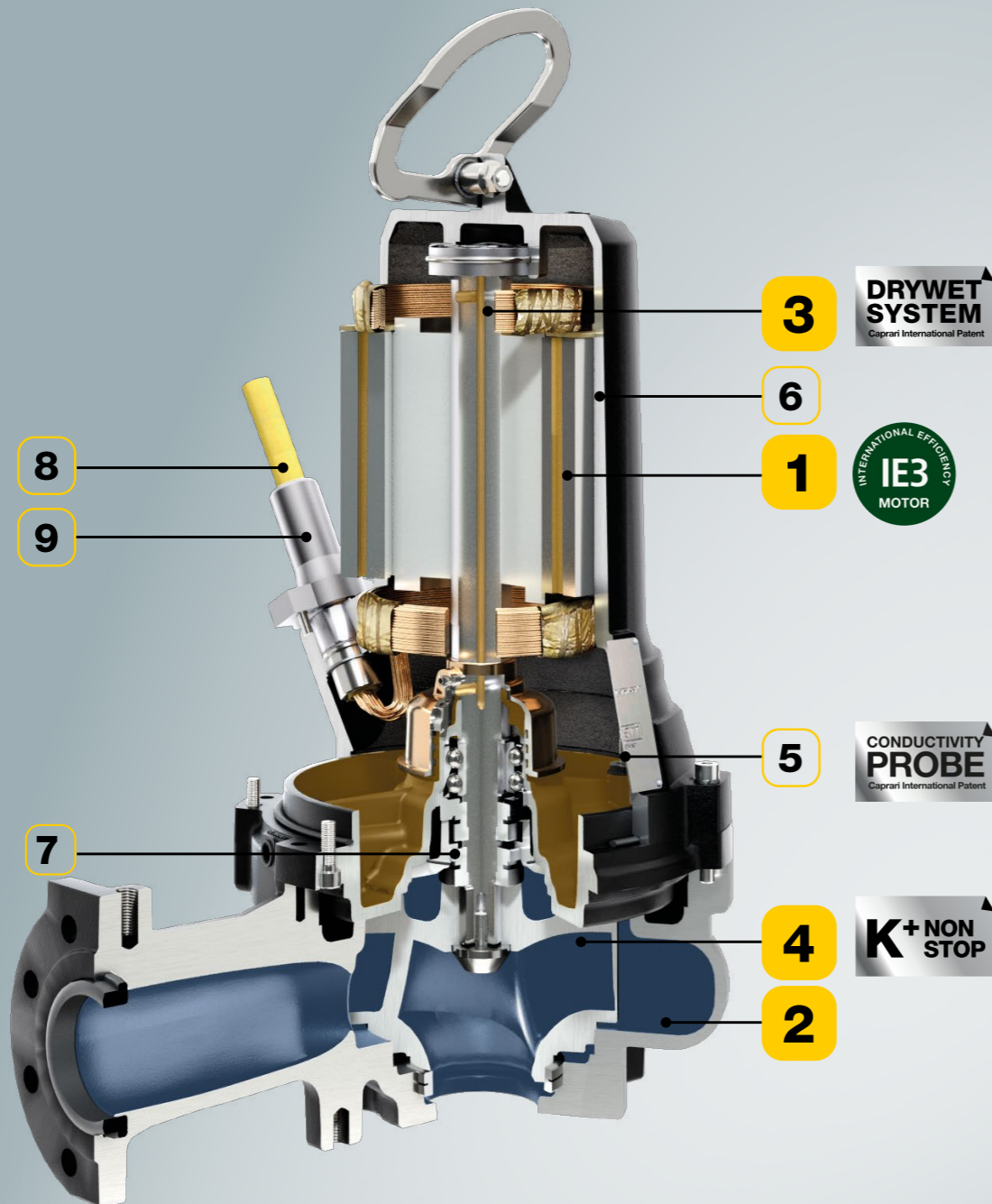
International Patent

### IMPELLER SETTING SYSTEM

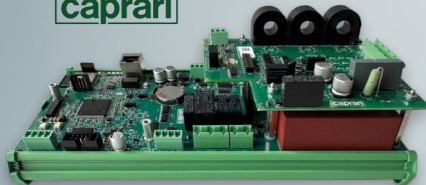


- **Fast** impeller disc setting through external screw
- **Easy** maintenance

## THE BEST PUMP IN THE WORLD OF WASTEWATER



**GREEN  
BOX**  
caprari



Connect and monitor pump performance in real time from your smartphone, tablet or PC via the Caprari App.

### ANTI-CLOGGING FUNCTION

- Stop and counter-rotate the pump: ideal solution in the event of blockages caused by solids

### CONSUMPTION OPTIMIZATION AND FAILURE PREVENTION (patented software)

- Maintains pump at best efficiency point (BEP): reduced energy consumption

## 1 IE3 ELECTRICAL EFFICIENCY CLASS

- High motor efficiency
- Reduced energy costs

## 2 HIGH-EFFICIENCY HYDRAULICS

- Painted surfaces: hydraulic profile optimization with high-level finish

## 3 OIL COOLING SYSTEM

- Standard on all models
- S1 operation in dry chamber

International Patent

## 4 ANTI-CLOGGING SYSTEM

- The widest free passages in the market
- Maximum operational safety

Exclusive

## 5 CONDUCTIVITY PROBE IN OIL CHAMBER

- Standard on all models even for ATEX version
- Motor protection: the alarm signal is sent to the panel in case of failure of the first mechanical seal

International Patent

## 6 H CLASS ELECTRICAL INSULATION

- The best resistance to thermal changes (up to 180 °C)
- Longer service life of the motor

## 7 DOUBLE MECHANICAL SEAL

- Double protection of the electric motor
- Commercial type seals: easy to find
- Ease of access: it is not necessary to remove the motor to replace the seals

## 8 NSSHOU-J DOUBLE SHEATH CABLE

- The best resistance to liquids containing chemicals and oils
- The best mechanical and thermal resistance

Exclusive

## 9 EASY MAINTENANCE PLUG

- Easy to disconnect and lower maintenance time: the electric cable can be unplugged from the pump

# Wastewater Transport and Treatment

Boosting and Distribution of surface water

Water Collection and Distribution

Pump Control Technology

**caprari**

Caprari S.p.A.  
Via Emilia Ovest, 900  
41123 Modena (Italy)  
Tel. +39 059 897611  
email: [info@caprari.it](mailto:info@caprari.it)  
[www.caprari.com](http://www.caprari.com)